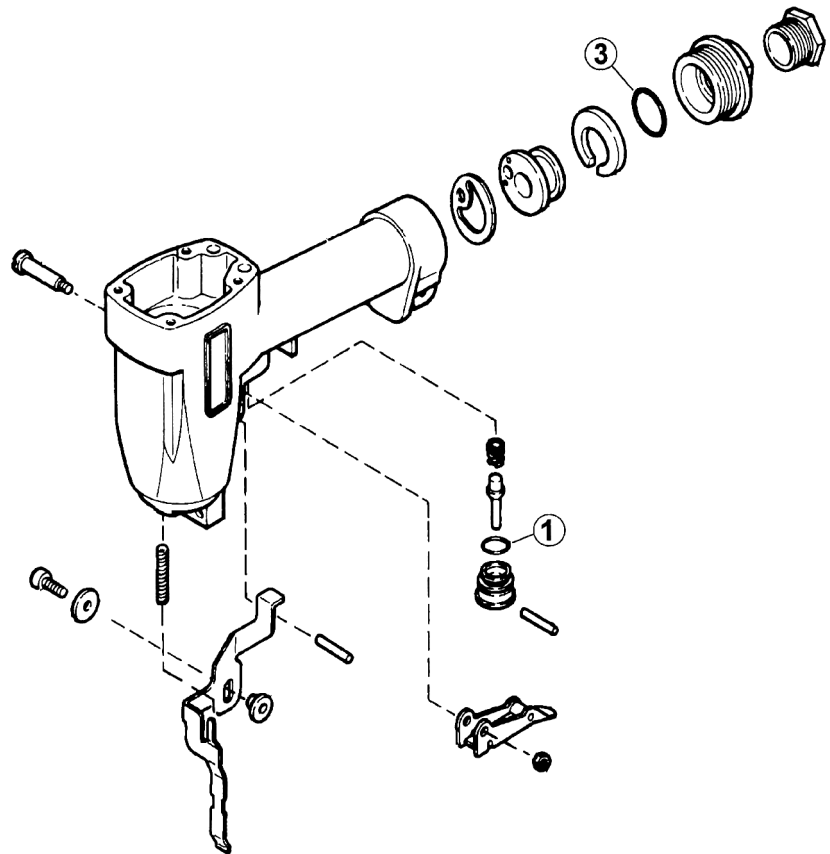
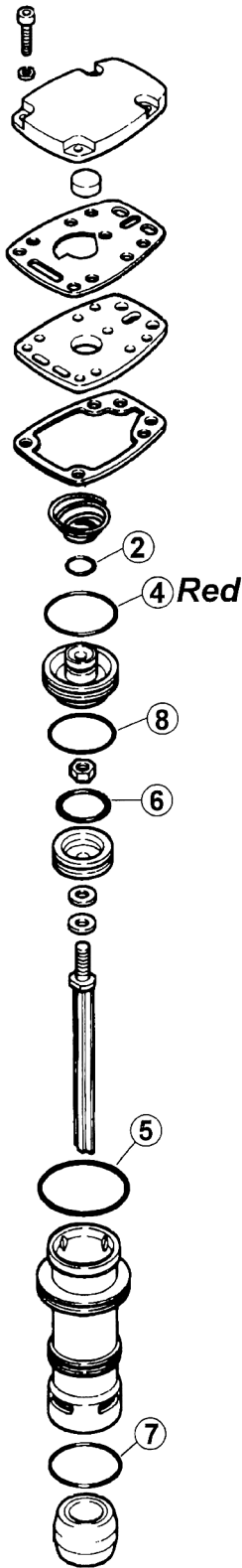


# RELIABILITY™

## Provin

### Contents of O-Ring Kit KT-PA-125

| Key Number | Quantity | Performance Provin, Inc. |            | Equivalent Paslode® Part Number |
|------------|----------|--------------------------|------------|---------------------------------|
|            |          | Part Number              | Color Code |                                 |
| 1          | 1        | OR-PP-150                |            | 92174                           |
| 2          | 1        | OR-PP-346                |            | 97529                           |
| 3          | 1        | OR-PP-358                |            | 90927                           |
| 4          | 1        | OR-PP-376                | Red        | 401951                          |
| 5          | 1        | OR-PP-384                |            | 91540                           |
| 6          | 1        | OR-PP-550                |            | 92774                           |
| 7          | 1        | OR-PP-562                |            | 402723                          |
| 8          | 1        | OR-PP-1098               |            | 500194                          |



\*Generously grease all O-rings at time of assembly

Note: Read and understand the safety information printed on the reverse side before repairing any tools.  
 Nota: Lea y comprende la información de seguridad impresa al reverso antes de reparar cualquier herramienta.

6/16/2005

Exploded View and O-ring List for  
 PASLODE 2125-N18 & 2125-I18

VL-PA-18

**CAUTION****CAUTION****CAUTION**

ALWAYS WEAR SAFETY GLASSES WITH SIDE SHIELDS WHEN USING PNEUMATICALLY OPERATED FASTENER DRIVING TOOLS

NEVER POINT THE TOOL AT YOURSELF OR ANYONE ELSE

NEVER BYPASS OR REMOVE ANY SAFETY DEVICE

ALWAYS FOLLOW THE ORIGINAL MANUFACTURE'S SAFETY AND SERVICE INSTRUCTION

NEVER ATTEMPT TO SERVICE OR REPAIR A PNEUMATICALLY OPERATED TOOL WITH THE COMPRESSES AIR LINE CONNECTED TO THE TOOL

NEVER LEAVE A PNEUMATICALLY OPERATED TOOL UNATTENDED WITH THE COMPRESSES AIR LINE CONNECTED

ALWAYS FOLLOW THE ORIGINAL TOOLS MANUFACTURE'S DISASSEMBLY, ASSEMBLY, AND TOOL INSPECTION PROCEDURES

**PRECAUTION****PRECAUTION****PRECAUTION**

SIEMPRE USE LENTES DE SEGURIDAD CON PROTECTORES LATERALES AL USAR HERRAMIENTAS DE IMPULSO CON SUJETADOR DE OPERACIÓN NEUMÁTICA

NUNCA APUNTE A SI MISMO O A OTRA PERSONA CON LA HERRAMIENTA

NUNCA EVITE O RETIRE ALGÚN DISPOSITIVO DE SEGURIDAD

SIEMPRE SIGA LAS INSTRUCCIONES DE SEGURIDAD Y SERVICIO DEL FABRICANTE ORIGINAL DE LA HERRAMIENTA

NUNCA INTENTE HACER MANTENIMIENTO O REPARAR UNA HERRAMIENTA DE OPERACIÓN NEUMÁTICA CON LA LINEA DE AIRE COMPRIMIDO CONECTADA A LA HERRAMIENTA

NUNCA DEJE SIN ATENCIÓN UNA HERRAMIENTA DE OPERACIÓN NEUMÁTICA CON LA LINEA DE AIRE COMPRIMIDO CONECTADA

SIEMPRE SIGA LOS PROCEDIMIENTOS DE DESMONTAJE, MONTAJE, E INSPECCIÓN DEL FABRICANTE ORIGINAL DE LA HERRAMIENTA

## O-Ring Kit

# KT-PA-125

For use on the following tool models.  
Kit contains all O-Rings in these tools.

PASLODE

2125-I18

2125-N18



7 1 2 2 1 8 0 0 1 5 3 2